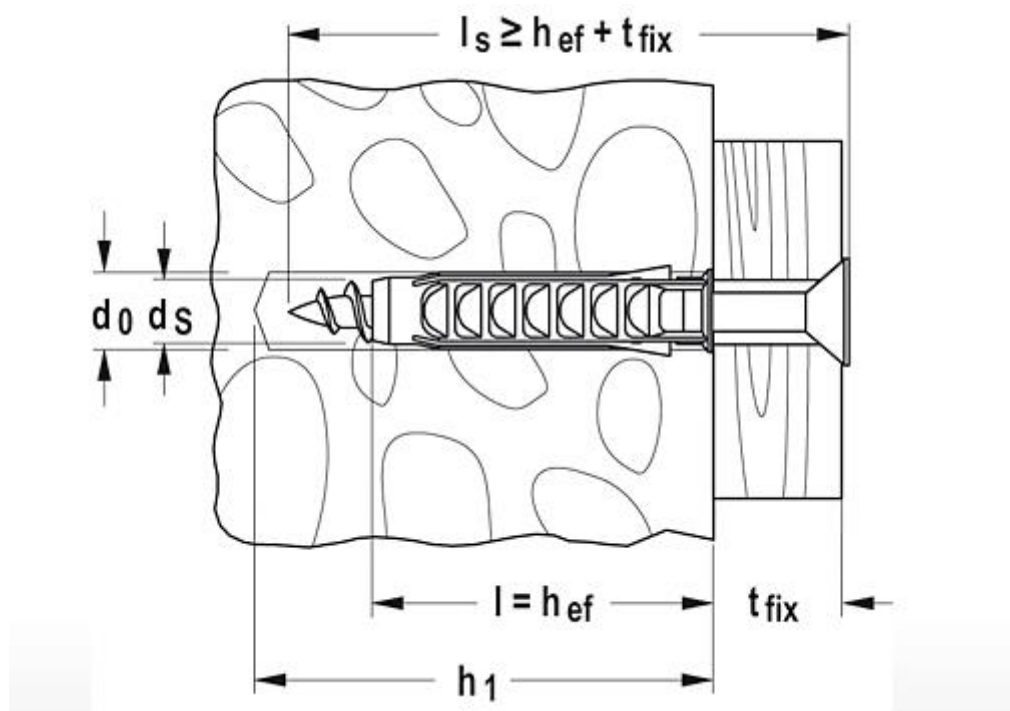


# Дюбел с опорен пръстен, к-кт с винт/PZ

## UX ф 12 x 70 мм, SK NV, блистер



Drill hole diameter	$d_0$	12	[mm]
Min. drill hole depth	$h_1$	100	[mm]
Anchor length	$l$	70	[mm]
Screw	$d_s \times l_s$	10 x 100	[mm]
Effect. anchorage depth	$h_{ef}$	70	[mm]
Drive		SW 17	
Card contents		2 x UX 12 x 70, 2 x hexagon-head screw 10 x 100	
Sales unit		10	[pcs]
GTIN (EAN Code)		4006209908754	